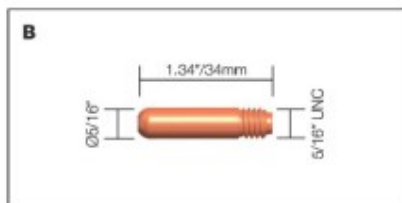
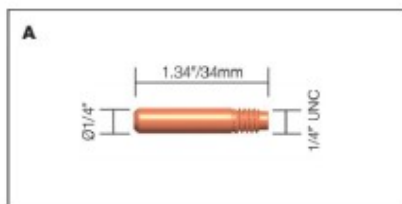
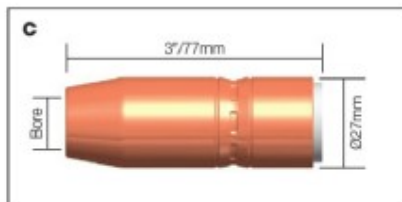
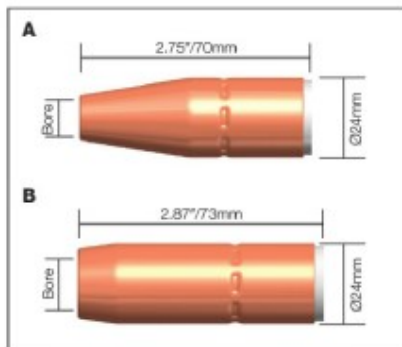


TRG Consumables

TRG Nozzles and Contact Tips



Nozzles					
Stock Code	Description	Bore	Bore	Model	
A 401-4-38	Standard Nozzle 3/8" Flush Tip	3/8"	10mm	Range	
B 401-4-50	Standard Nozzle 1/8" Recess Tip	1/2"	13mm	Range	
401-4-62	Standard Nozzle 1/8" Recess Tip	5/8"	16mm	Range	
401-4-75	Standard Nozzle 1/8" Recess Tip	3/4"	19mm	Range	

Stock Code	Description	Bore	Bore	Model	
C 401-5-50	Heavy Duty Nozzle 1/4" Recess Tip	1/2"	13mm	Range	
401-5-62	Heavy Duty Nozzle 1/4" Recess Tip	5/8"	16mm	Range	
401-5-75	Heavy Duty Nozzle 1/4" Recess Tip	3/4"	19mm	Range	

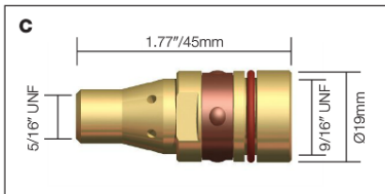
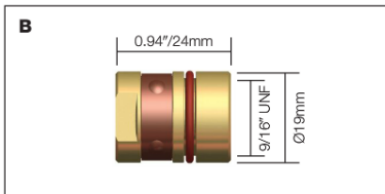
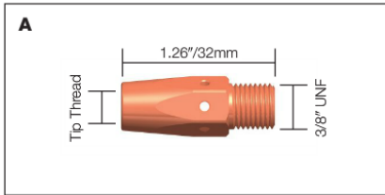
Stock Code	Description	Bore	Bore	Model	
D 401-6-50	Heavy Duty Nozzle 1/8" Recess Tip	1/2"	13mm	Range	
401-6-62	Heavy Duty Nozzle 1/8" Recess Tip	5/8"	16mm	Range	
401-6-75	Heavy Duty Nozzle 1/8" Recess Tip	3/4"	19mm	Range	

Contact Tips						
Stock Code	Description	Wire Size	Wire Size	Material	Model	
A 403-23	Standard Contact Tip	.023"	0.6mm	ECu	Range	
403-30	Standard Contact Tip	.030"	0.8mm	ECu	Range	
403-35	Standard Contact Tip	.035"	0.9mm	ECu	Range	
403-10	Standard Contact Tip	.040"	1.0mm	ECu	Range	
403-45	Standard Contact Tip	.045"	1.2mm	ECu	Range	
403-52	Standard Contact Tip	.052"	1.3mm	ECu	Range	
403-116	Standard Contact Tip	1/16"	1.6mm	ECu	Range	

Stock Code	Description	Wire Size	Wire Size	Material	Model	
B 403-1-30	Heavy Duty Contact Tip	.030"	0.8mm	ECu	Range	
403-1-35	Heavy Duty Contact Tip	.035"	0.9mm	ECu	Range	
403-1-10	Heavy Duty Contact Tip	.040"	1.0mm	ECu	Range	
403-1-45	Heavy Duty Contact Tip	.045"	1.2mm	ECu	Range	
403-1-52	Heavy Duty Contact Tip	.052"	1.3mm	ECu	Range	
403-1-116	Heavy Duty Contact Tip	1/16"	1.6mm	ECu	Range	
403-1-564	Heavy Duty Contact Tip	5/64"	2.0mm	ECu	Range	
403-1-332	Heavy Duty Contact Tip	3/32"	2.4mm	ECu	Range	

TRG

TRG Diffusers/Liner Selector Chart



Gas Diffusers			
Stock Code	Description	Tip Thread	Model
A 404	Gas Diffuser for Standard Tip	1/4" UNC	Range
404-1	Gas Diffuser for Heavy Duty Tip	5/16" UNC	Range

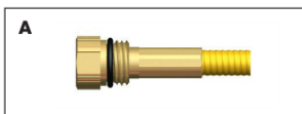
Retaining Heads		
Stock Code	Description	Model
B 402-3	Standard Retaining Head	Range

Stock Code	Description	Model
C 404-3	Heavy Duty Retaining Head	Range

Liner Selector Chart									
Stock Code	Description	Length	Wire Size	Model	TRG200*	TRG300	TRG400	TRG500	TRG600*
A 415-23-15	Steel Liner	15ft	.023"/0.6mm		■	■	□	□	□
A 415-30-15	Steel Liner	15ft	.030"/0.8mm		■	■	□	□	□
A 415-35-15	Steel Liner	15ft	.035"- .045"/0.9mm-1.2mm		■	■	□	□	□
A 415-116-10	Steel Liner	10ft	.045-1/16"/1.2-1.6mm				■	■	■
415-116-15	Steel Liner	15ft	.045-1/16"/1.2-1.6mm				■	■	■
415-116-25	Steel Liner	25ft	.045-1/16"/1.2-1.6mm				■	■	■
A 415-332-10	Steel Liner	10ft	3/32"/2.4mm				□	□	■
415-332-15	Steel Liner	15ft	3/32"/2.4mm				□	□	■

■ Solid Box = Recommended Liner □ Clear Box = Compatible Liner

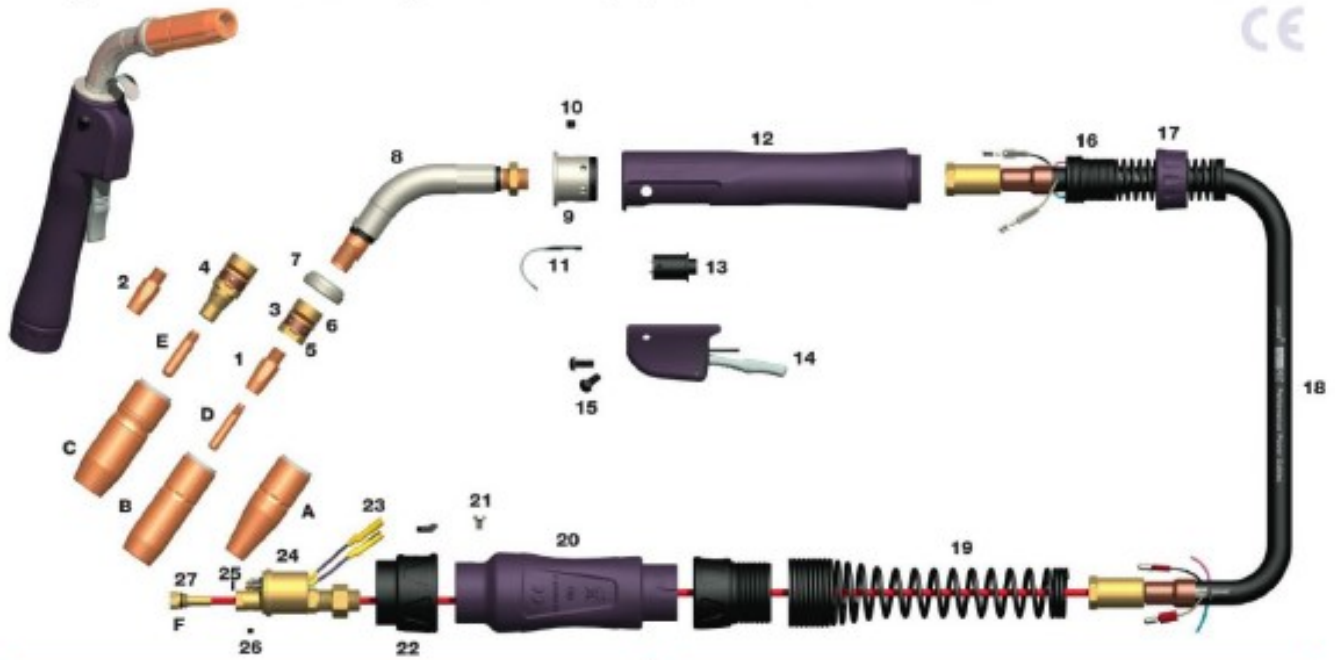
*Torch models are not illustrated but are available to order as a Custom Build, please contact our sales office for more information.



TRG 300A

Air Cooled MIG Welding Torch

Rating: 300A CO₂ 200A mixed gas @ 60% duty cycle, EN60974-7 .030"-.045"/0.8mm to 1.2mm wire



TRG

Model			
Stock Code	12ft	15ft	Description
T3010E	T3012E	T3015E	Welding Torch c/w Euro Fitting

Nozzles	
Stock Code	Description
A 401-4-38	Nozzle Flush Tip 3/8"/6mm Bore
B 401-4-50	Nozzle Recess Tip 1/2"/13mm Bore
401-4-62*	Nozzle Recess Tip 5/8"/16mm Bore
401-4-75	Nozzle Recess Tip 3/4"/19mm Bore
C 401-5-50	Heavy Duty Nozzle Recess Tip 1/2"/13mm Bore
401-5-62	Heavy Duty Nozzle Recess Tip 5/8"/16mm Bore
401-5-75	Heavy Duty Nozzle Recess Tip 3/4"/19mm Bore
401-6-50	Heavy Duty Nozzle Recess Tip 1/2"/13mm Bore
401-6-62	Heavy Duty Nozzle Recess Tip 5/8"/16mm Bore
401-6-75	Heavy Duty Nozzle Recess Tip 3/4"/19mm Bore

Contact Tips	
Stock Code	Description
D 403-30	Standard Contact Tip .030"/0.8mm
403-35*	Standard Contact Tip .035"/0.9mm
403-10	Standard Contact Tip .040"/1.0mm
403-45	Standard Contact Tip .045"/1.2mm
E 403-1-30	Heavy Duty Contact Tip .030"/0.8mm
403-1-35	Heavy Duty Contact Tip .035"/0.9mm
403-1-10	Heavy Duty Contact Tip .040"/1.0mm
403-1-45	Heavy Duty Contact Tip .045"/1.2mm

Liners	
Stock Code	Description
F 415-30-15	Liner .030"/0.8mm x 15ft
415-35-15*	Liner .035"-.045"/0.9mm-1.2mm x 15ft

Components		
Stock Code	Description	* Denotes Standard Build
1 404*	Gas Diffuser For Standard Tip	
2 404-1	Gas Diffuser For Heavy Duty Tip	
3 402-3*	Standard Retaining Head	
4 404-3	Heavy Duty Retaining Head	
5 402-4	Retaining Ring Only	
6 402-6	O Ring (Red)	
7 402-5	Shock Washer	
8 305-60*	Swan Neck 60°	
NI 305-45	Swan Neck 45°	
9 407	Torch Body Assembly	
10 407-2	Grub Screw	
11 TR1517	Hanger Hook	
12 310	Large Handle c/w Spring Support and Nut	
NI TR310	Handle Kit (No Support)	
13 411-1	Switch	
14 411-2	Switch Housing c/w Trigger	
15 411-3	Screws c/w Washer	
16 TR8018	Spring Cable Support	
17 T8004	Handle Lock Nut	
18 313-10	Cable Assembly x 10ft	
313-12	Cable Assembly x 12ft	
313-15	Cable Assembly x 15ft	
19 TR8026	Spring Cable Support	
20 TR1518	Gun Plug Housing Kit	
21 TR1526	Gun Plug Screw	
22 TR1519	Gun Plug Housing Nut c/w Insert	
23 Spring Pin 2	Spring Pin Assembly	
24 425-10K	Gun Plug Body c/w Spring Pins	
25 425-9	Gun Plug O Ring	
26 414-2	Liner Grub Screw	
27 415-1	Liner O Ring	

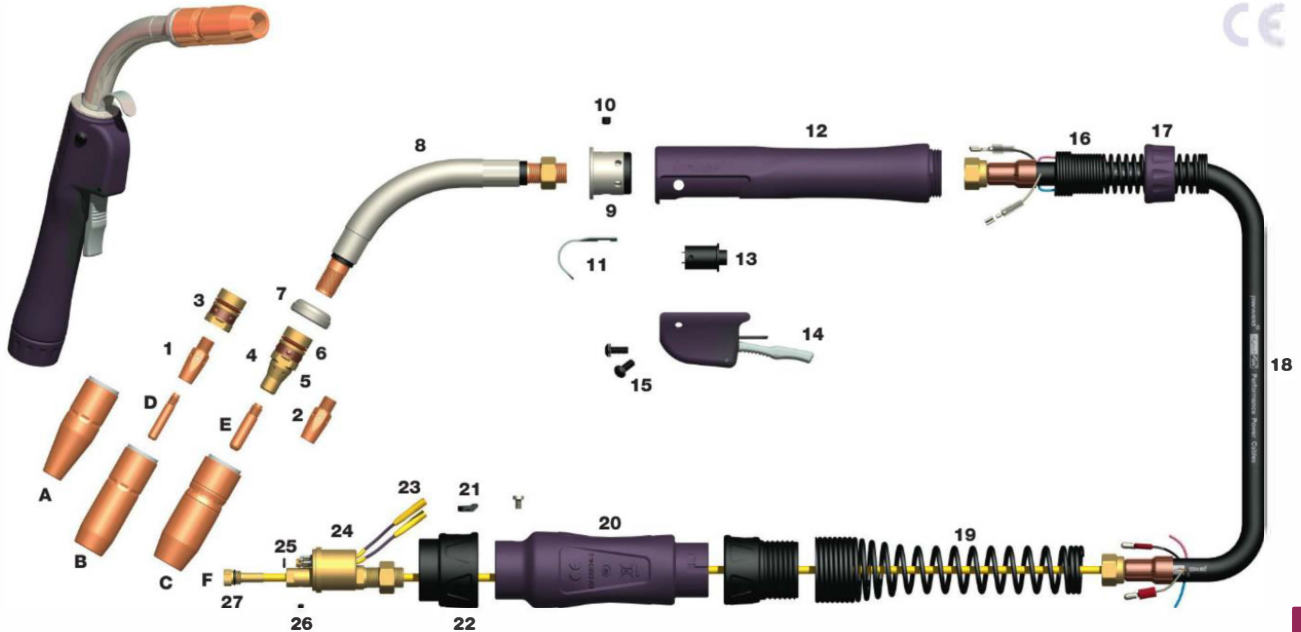
NI - Not Illustrated

TRG Mig Torch Packages

TRG 400A

Air Cooled MIG Welding Torch

Rating: 400A CO₂ 300A mixed gas @ 60% duty cycle, EN60974-7 .040"-1/16"/1.0mm to 1.6mm wire



Model			
Stock Code	12ft	15ft	Description
T4010E	T4012E	T4015E	Welding Torch c/w Euro Fitting

Nozzles		
Stock Code	Description	
A 401-4-38	Nozzle Flush Tip 3/8"/6mm Bore	
B 401-4-50	Nozzle Recess Tip 1/2"/13mm Bore	
401-4-62	Nozzle Recess Tip 5/8"/16mm Bore	
401-4-75	Nozzle Recess Tip 3/4"/19mm Bore	
C 401-5-50	Heavy Duty Nozzle Recess Tip 1/2"/13mm Bore	
401-5-62*	Heavy Duty Nozzle Recess Tip 5/8"/16mm Bore	
401-5-75	Heavy Duty Nozzle Recess Tip 3/4"/19mm Bore	
401-6-50	Heavy Duty Nozzle Recess Tip 1/2"/13mm Bore	
401-6-62	Heavy Duty Nozzle Recess Tip 5/8"/16mm Bore	
401-6-75	Heavy Duty Nozzle Recess Tip 3/4"/19mm Bore	

Contact Tips		
Stock Code	Description	
D 403-10	Standard Contact Tip .040"/1.0mm	
403-45	Standard Contact Tip .045"/1.2mm	
403-52	Standard Contact Tip .052"/1.3mm	
403-116	Standard Contact Tip 1/16"/1.6mm	
E 403-1-10	Heavy Duty Contact Tip .040"/1.0mm	
403-1-45*	Heavy Duty Contact Tip .045"/1.2mm	
403-1-52	Heavy Duty Contact Tip .052"/1.3mm	
403-1-116	Heavy Duty Contact Tip 1/16"/1.6mm	

Linners		
Stock Code	Description	
F 415-35-15	Liner .035"-0.45"/0.9mm-1.2mm x 15ft	
415-116-10*	Liner .045"-1/16"/1.2mm-1.6mm x 10ft	
415-116-15*	Liner .045"-1/16"/1.2mm-1.6mm x 15ft	

Components		
Stock Code	Description	* Denotes Standard Build
1 404*	Gas Diffuser For Standard Tip	
2 404-1	Gas Diffuser For Heavy Duty Tip	
3 402-3	Standard Retaining Head	
4 404-3*	Heavy Duty Retaining Head	
5 402-4	Retaining Ring Only	
6 402-6	O Ring (Red)	
7 402-5	Shock Washer	
8 405-60*	Swan Neck 60°	
NI 405-45	Swan Neck 45°	
9 407	Torch Body Assembly	
10 407-2	Grub Screw	
11 TR1517	Hanger Hook	
12 410	Large Handle c/w Spring Support and Nut	
NI TR410	Handle Kit (No Support)	
13 411-1	Switch	
14 411-2	Switch Housing c/w Trigger	
15 411-3	Screws c/w Washer	
16 TR8018	Spring Cable Support	
17 T8004	Handle Lock Nut	
18 413-10	Cable Assembly x 10ft	
413-12	Cable Assembly x 12ft	
413-15	Cable Assembly x 15ft	
19 TR8026	Spring Cable Support	
20 TR1518	Gun Plug Housing Kit	
21 TR1526	Gun Plug Screw	
22 TR1519	Gun Plug Housing Nut c/w Insert	
23 Spring Pin 2	Spring Pin Assembly	
24 425-10K	Gun Plug Body c/w Spring Pins	
25 425-9	Gun Plug O Ring	
26 414-2	Liner Grub Screw	
27 415-1	Liner O Ring	

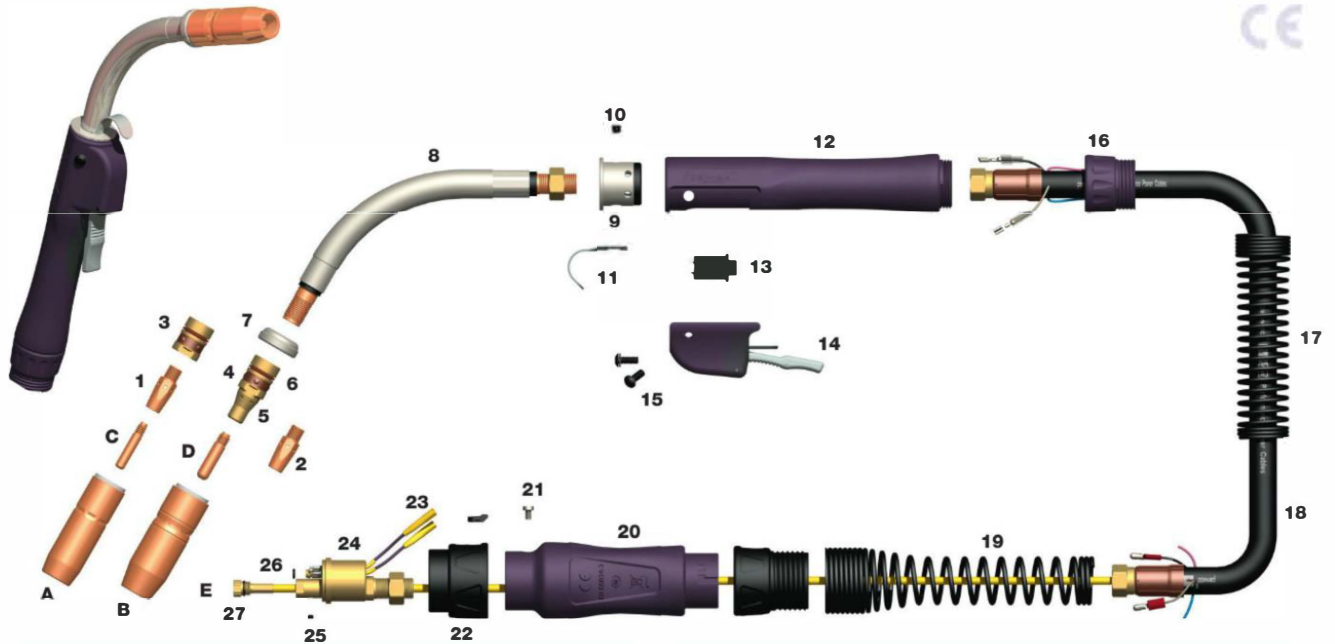
NI – Not Illustrated

TRG

TRG 500A

Air Cooled MIG Welding Torch

Rating: 500A CO₂ 350A mixed gas @ 60% duty cycle, EN60974-7 .045"-3/32"/1.2mm to 2.4mm wire



TRG

Model			
Stock Code 10ft	12ft	15ft	Description
T5010E	T5012E	T5015E	Welding Torch c/w Euro Fitting

Nozzles	
Stock Code	Description
A 401-4-50	Nozzle Recess Tip 1/2"/13mm Bore
401-4-62	Nozzle Recess Tip 5/8"/16mm Bore
401-4-75	Nozzle Recess Tip 3/4"/19mm Bore
B 401-5-50	Heavy Duty Nozzle Recess Tip 1/2"/13mm Bore
401-5-62	Heavy Duty Nozzle Recess Tip 5/8"/16mm Bore
401-5-75*	Heavy Duty Nozzle Recess Tip 3/4"/19mm Bore

Contact Tips	
Stock Code	Description
C 403-45	Standard Contact Tip .045"/1.2mm
403-52	Standard Contact Tip .052"/1.3mm
403-116	Standard Contact Tip 1/16"/1.6mm
D 403-1-45	Heavy Duty Contact Tip .045"/1.2mm
403-1-52	Heavy Duty Contact Tip .052"/1.3mm
403-1-116*	Heavy Duty Contact Tip 1/16"/1.6mm
403-1-564	Heavy Duty Contact Tip 5/64"/2.0mm
403-1-332	Heavy Duty Contact Tip 3/32"/2.4mm

Liners	
Stock Code	Description
E 415-35-15	Liner .035"-.045"/0.9mm-1.2mm x 15ft
415-116-15*	Liner .045"-1/16"/1.2mm -1.6mm x 15ft
415-332-10	Liner 3/32"/2.4mm 10ft
415-332-15	Liner 3/32"/2.4mm 15ft

Components		
Stock Code	Description	* Denotes Standard Build
1 404*	Gas Diffuser For Standard Tip	
2 404-1	Gas Diffuser For Heavy Duty Tip	
3 402-3	Standard Retaining Head	
4 404-3*	Heavy Duty Retaining Head	
5 402-4	Retaining Ring Only	
6 402-6	O Ring (Red)	
7 402-5	Shock Washer	
8 505-60*	Swan Neck 60°	
NI 505-45	Swan Neck 45°	
9 407	Torch Body Assembly	
10 407-2	Grub Screw	
11 TR1517	Hanger Hook	
12 610	Large Handle c/w Spring Support and Nut	
NI TR610	Handle Kit (No support)	
13 411-1	Switch	
14 411-2	Switch Housing c/w Trigger	
15 411-3	Screws c/w Washer	
16 TR8005	Handle Lock Nut	
17 TR8019	Spring Cable Support	
18 513-10	Cable Assembly x 10ft	
513-12	Cable Assembly x 12ft	
513-15	Cable Assembly x 15ft	
19 TR8026	Spring Cable Support	
20 TR1518	Gun Plug Housing Kit	
21 TR1526	Gun Plug Screw	
22 TR1519	Gun Plug Housing Nut c/w Insert	
23 Spring Pin 2	Spring Pin Assembly	
24 425-10K	Gun Plug Body c/w Spring Pins	
25 414-2	Liner Grub Screw	
26 425-9	Gun Plug O Ring	
27 415-1	Liner O Ring	

NI – Not Illustrated